

Cool City Avionics



Stick Force Indicator

Model 916

- Hand-held force indicator that registers the amount of pressure needed to move an aircraft stick, wheel or throttle, either in flight or on the ground. Also measures foot pedal force required to move rudders and tail rotors.
- Used as a flight test standard by the Federal Aviation Administration and carries U. S. Army Aviation Part Number 6625NL133.
- Intended for airplanes, helicopters or flight simulator controls, the indicator is available in three standard ranges from 30 to 200 lbs. maximum force.
- Calibration chart is furnished with each instrument.
- Direct-reading dial with a 'maximum pointer' that remains at the highest pressure reading until reset manually.

Cool City Avionics

Mineral Wells Airport, 6300 Columbia Road, Mineral Wells, Texas 76067

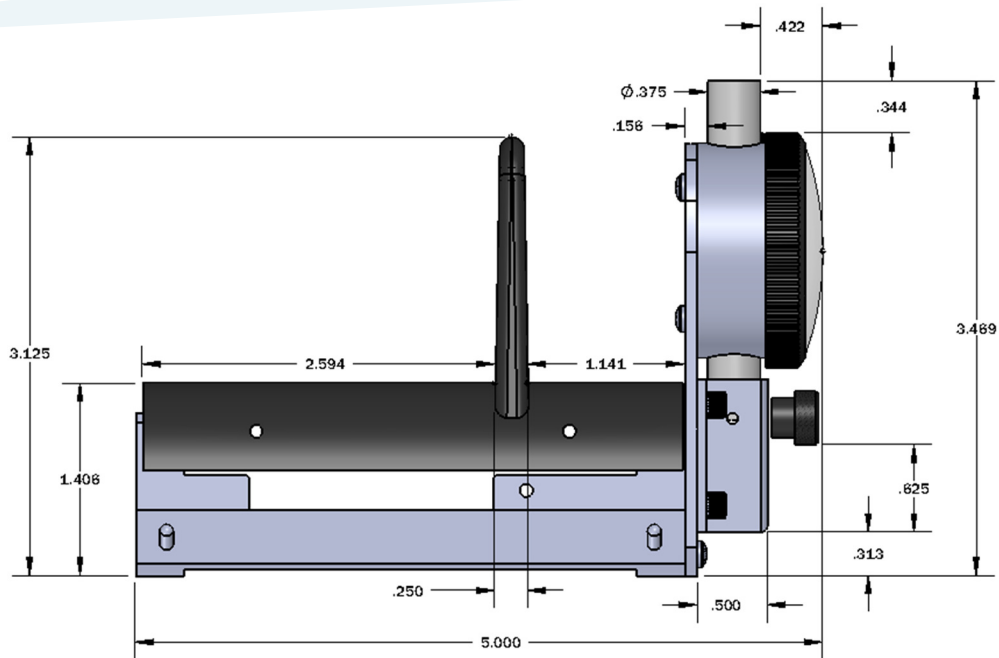
Phone: 940-327-8400 FAX 940-327-8403 Toll-Free 877-900-2234

www.CoolCityAvionics.com

The Stick Force Indicator was originally manufactured by the Brooklyn Tool & Machine. Company, Hillside, NJ.

Cool City Avionics updated the design to improve performance and ease of maintenance.

Stick Force Indicator Features



- Models:
 - 916A (0-50 lbs.)
 - 916B (0-100 lbs.)
 - 916C (0-200 lbs.)
 - 916D (0-30 lbs.)
- Weight: 1.5 lbs.



Carrying Case
with protective foam insert

Model 950RE Reach Extender

Attaches to Stick Force Indicator for easier use in measurements of rudder and tail rotor pedal forces. Constructed of clear-anodized 6061 aluminum alloy.

